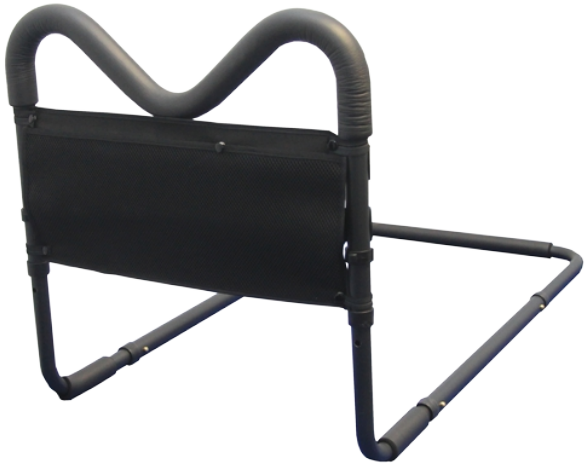


EZee Life™

Bed Safety Rail User Manual

Model # CH3053



Limited Warranty:

EZee Life™ products carry a one year warranty against manufacturing defects, faulty materials and workmanship only.

Any alterations, misuse, abuse, or accidental damage voids this warranty. EZee Life™ reserves the right to replace or repair any

that has become defective.

The warranty does not extend to consequential costs resulting from the fault or defect of the product: freight and travel costs, loss of earnings, or other expenses that one may incur.

Warranty is valid for the original purchaser only and the original receipt must be presented before any warranty options are considered. Please also be prepared to provide the date of purchase and serial number.

EZee Life™ Products

34 Futurity Gate, Unit 15, Concord Ontario L4K 1S6

Description:

The EZee Life™ 3053 bed rail is a transfer assist product that provides users a secure handhold to use when entering or leaving their bed that can be used on any conventional bed. Fits all bed widths and features a security strap for added safety.

Features:

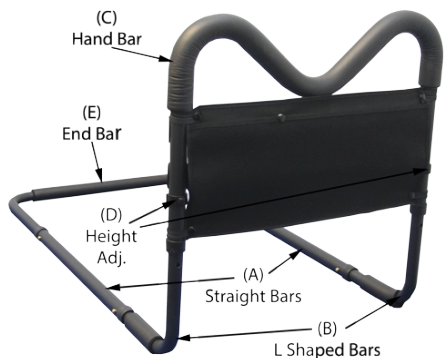
- Tool free assembly
- Adjustable height up to 21.7"
- Slip resistant foam hand-grip
- Safety strap
- Can be used on either side of bed
- Non-confining
- Fits all standard bed widths
- Convenient storage pockets

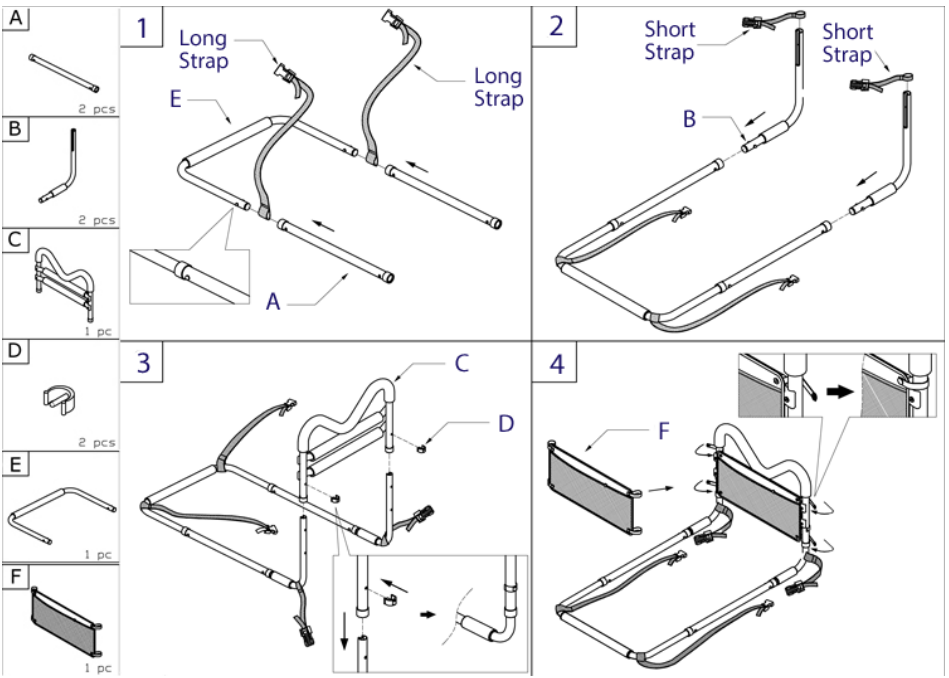
Specifications:

Length:	19.6"
Height:	17.7" to 21.7"
Under mattress length:	36.2"
Frame material:	Steel
Weight capacity:	300 lbs

Assembly:

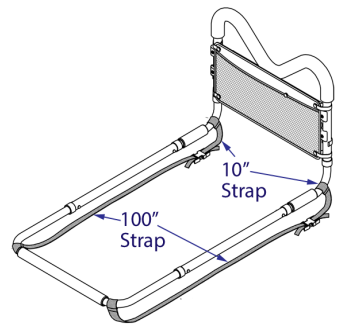
1. Slide the straight bars (A) through the long strap loops and onto the end bar (E) until the bars lock together.
2. Slide the "L" shaped bars (B) into the straight bars (A) until the bars lock together and slide the end loops of the short strap onto the "L" (B) bars.
3. Slide the hand bar (C) onto the "L" bars (B). Align the holes at the height required and insert locking pins (D).
4. Using the attached pocket straps, attach the storage pocket (F) to hand bar (C) below the foam hand grip.
5. Slide the assembled unit between the mattress and box spring at the point along the bed best suited for the user.
6. Adjust Hand bar height using locking buttons (F) below hand-grip foam.





Strap Instructions:

1. The long arms and end bar of the bed safety rail sits on top of the box spring, or bed pan, underneath the mattress.
2. The long straps are threaded from the end bar (A), across the top of the box spring, down the far side and back to the bar side of the bed underneath the bed.
3. The long straps buckle into the short straps that are attached to the "L" (B) bar at the bend.
4. Adjust straps so that they are tightly wrapped around the box spring or bed pan and don't slip or slide.
5. Check straps regularly by pulling on the M bar (C) in different directions. If it moves, the straps need to be re-tightened.



Warning: This bed rail is not designed or intended to keep a person from falling or rolling out of bed. It is designed to assist the user in entering and leaving the bed by providing a safe handhold.

Warning: Do not use this Bed Rail without the properly connecting the supplied safety strap. Use without the safety strap can allow the bed rail to slip out of position, creating a dangerous gap between the handle and the mattress side posing a risk of entrapment, strangulation and death.

Warning: In order to safely use the Safety Bed Rail the rail must be tightly held against the side of the mattress using the safety strap. Contact your dealer if you aren't able to install the rail correctly and require assistance. Do not use without properly attached safety strap.

Bonus: Convenient Bedside Pockets

To install the bedside pockets first wrap the elastic side straps around the bed rail side bars at the desired height and snap clasps closed.

Bedside storage pockets are available on both sides of the bed rail handle for convenience and provide a barrier to minimize the chances of limbs passing through the rail and trapping the user.

With the convenience of bedside pockets you can find your things when you want them. Reading materials, glasses, television remote control and flashlight to name a few.



Secured with metal snaps on the sides and buckled straps on the top these storage pockets are easily removed without removing the bed rail from the bed.

Date of Purchase: _____

Dealer Name: _____

Dealer Location: _____